



# ABB Microgrid Inverter

## Product Features

**125**  
YEARS IN  
SWITZERLAND  
[www.abb.com](http://www.abb.com)

Power and productivity  
for a better world™ **ABB**

# ABB Microgrid Inverter

## Inverter Basic Features

Single solution supporting

On- and off-grid operation

- Supports AC generators with no backfeed
- Seamless transition between on- & off-grid operation

PV string input

Energy storage

- Lead-acid battery initially
- Li-ion support coming

Constructed with proven, highly-rugged ABB products

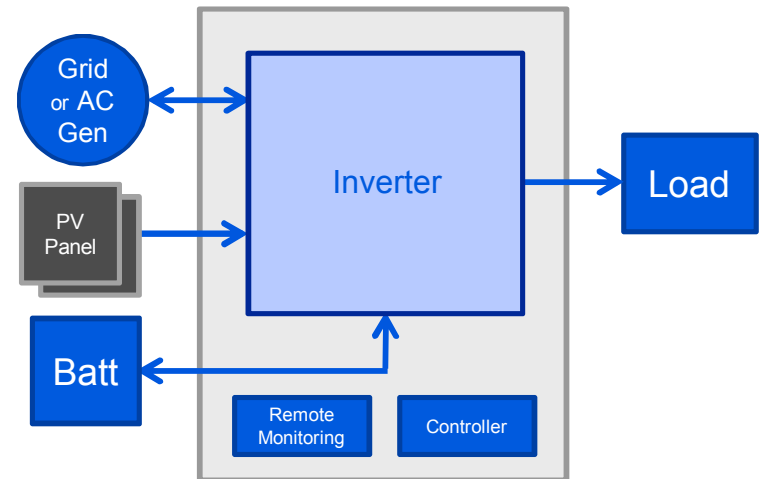
Single cabinet construction / container version available

Full load redundancy operation (optional)

HMI (optional)

Remote Monitoring (optional)

Controller with support for customizable control functions e.g. diesel generator operation (optional)

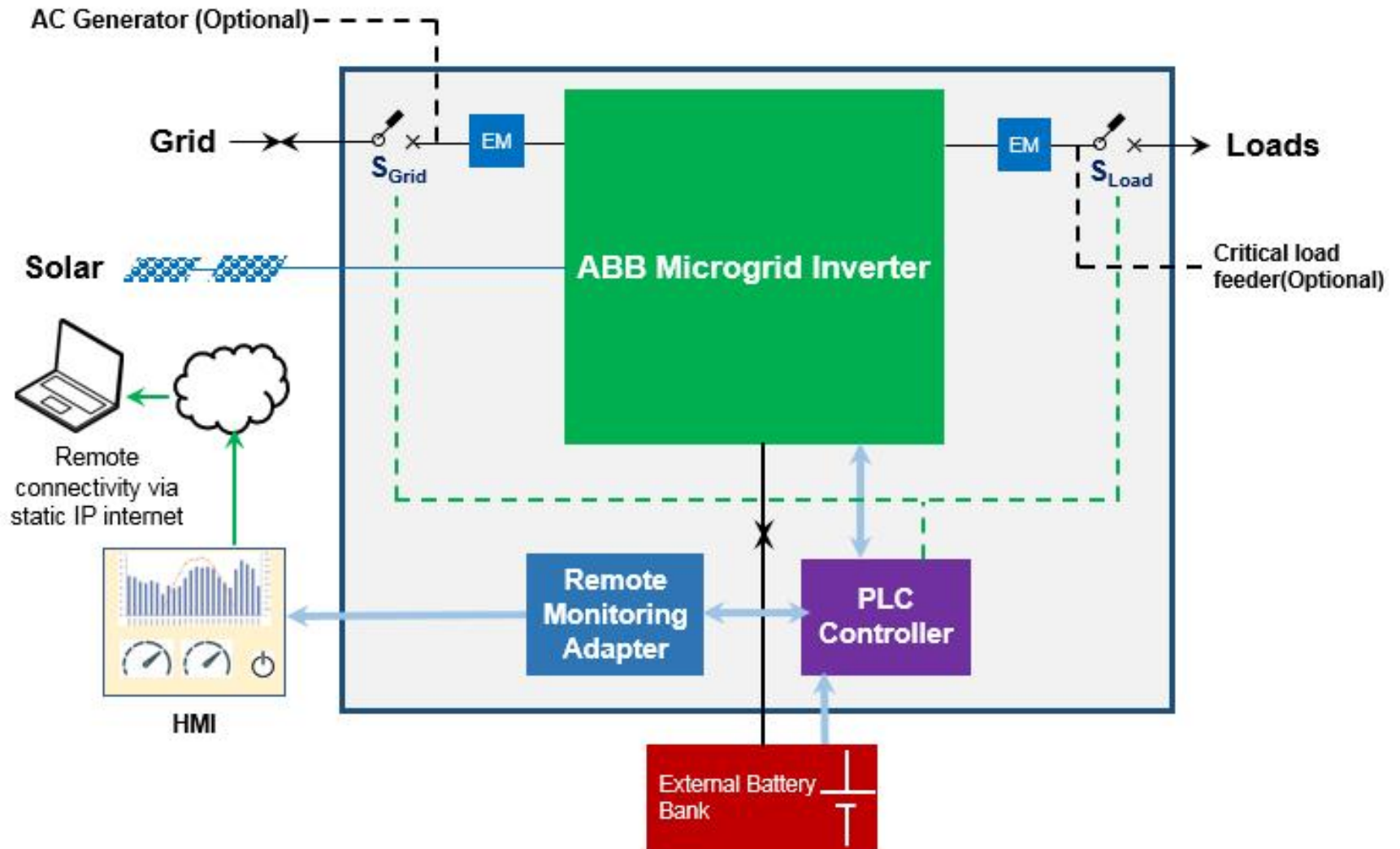


# ABB Microgrid Inverter

## ABB Microgrid Inverter Ratings

	Unit	20kW	40kW	60kW
<b>Product Rating</b>				
Max. PV Input	W	20750	28600	51200
Rated Output Power	W	20000	40000	60000
Max. Charging Power	W	12000	24000	48000
Max. Battery capacity	kWh	144	288	576
<b>PV Input</b>				
MPPT Operating range	V	440-800	440-800	480-800
<b>Output</b>				
Nominal output voltage	V	3 × 415 / 240 V + N	3 × 415 / 240 V + N	3 × 415 / 240 V + N
Output Frequency	Hz	50	50	50
<b>Grid Input</b>				
Nominal Input Voltage	V	3 × 415 / 240 V + N	3 × 415 / 240 V + N	3 × 415 / 240 V + N
Voltage tolerance	%	-20 %, +15 %	-20 %, +15 %	-20 %, +15 %
<b>Battery</b>				
Nominal battery voltage	V	480 to 600	480 to 600	480 to 600
<b>Environment</b>				
Humidity (Non-condensing)		<95%	<95%	<95%
Ambient temperature	°C	-5 to 45	-5 to 45	-5 to 50
Temperature deration		-5%/°C	-5%/°C	-
Max. Ambient temp	°C	50	50	50
Altitude	m	1000	1000	1000
Altitude derating		-5%/1000m	-5%/1000m	-5%/1000m

# ABB Microgrid Inverter Inverter Block Diagram



# ABB Microgrid Inverter

## ABB Microgrid Inverter Versions

Cabinet



Container

- Container with inverter
- Container with inverter & battery
- Container with inverter, battery & operator space



Power and productivity  
for a better world™



**125**  
YEARS IN  
SWITZERLAND  
[www.abb.com](http://www.abb.com)